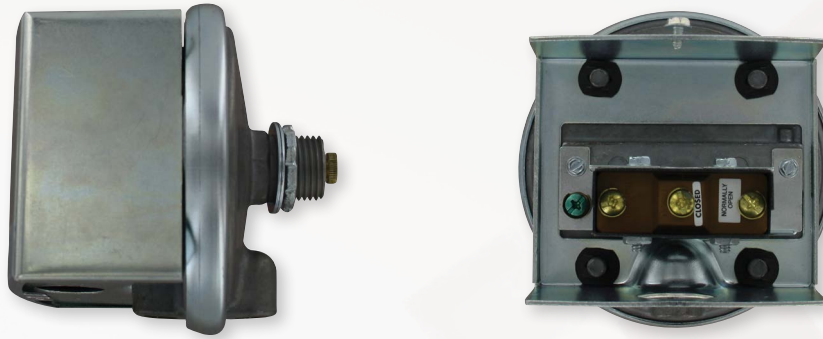




## SERIES 1800 | LOW DIFFERENTIAL PRESSURE SWITCH



### FEATURES/BENEFITS

- Compact size and repeatability provide a high-value switch useful in many industrial applications
- Designed for panel and wall mounting to easily meet mounting requirements in most industrial settings
- Pressure ranges from 0.07 in w.c. to 85 in w.c. make this switch suitable for a wide range of applications

### APPLICATIONS

- Process applications
- Mechanical equipment control

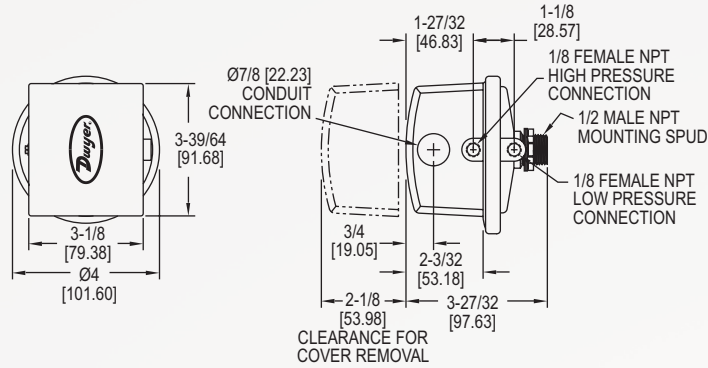
### DESCRIPTION

Essential for industrial environments, the **Series 1800 Low Differential Pressure Switch for General Industrial Service** combines small size and low price with 2% repeatability for all but the most demanding applications. Set point adjustment inside the mounting stud permits mounting the switch on one side of a wall or panel with adjustment easily accessible on the opposite side. UL and CSA listed, and FM approved.

### SPECIFICATIONS

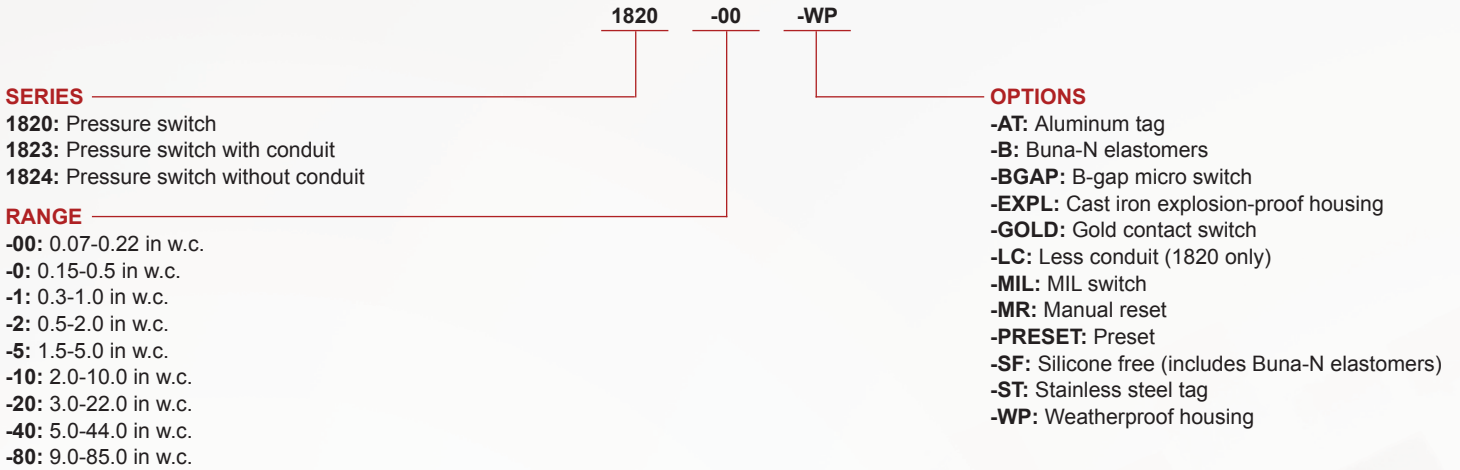
<b>Service</b>	Air and non-combustible, compatible gases.
<b>Wetted Materials</b>	Consult factory.
<b>Temperature Limits</b>	-30 to 180°F (-34 to 82.2°C); 1823-00: -20 to 180°F (-28.9 to 82.2°C).
<b>Pressure Limits</b>	10 psig (68.95 kPa) continuous, 25 psig (172.4 kPa) surge.
<b>Switch Type</b>	Single-pole double-throw (SPDT).
<b>Repeatability</b>	±2%.
<b>Electrical Rating</b>	15 A @120-480 VAC, 60 Hz. Resistive 1/8 HP @ 125 VAC, 1/4 HP @ 250 VAC, 60 Hz. De-rate to 10 A for operation at high cycle rates.
<b>Electrical Connection</b>	3 screw type, common, normally open and normally closed.
<b>Process Connection</b>	1/8" female NPT.
<b>Mounting Connection</b>	Diaphragm in vertical position. Consult factory for other position orientations.
<b>Set Point Adjustment</b>	Screw type inside mounting spud.
<b>Weight</b>	1lb 5 oz (595 g).
<b>Agency Approvals</b>	CE, CSA, FM, UL. Optional –EXPL explosion-proof enclosure does not possess any agency approvals.

## DIMENSIONS



## HOW TO ORDER

Use the **bold** characters from the chart below to construct a product code.



## ACCESSORIES

Model	Description
<b>A-389</b>	Mounting bracket; 16 ga. steel, zinc plated and dichromate dipped for corrosion resistance
<b>A-489</b>	4" straight static pressure tip with flange
<b>A-491</b>	6" straight static pressure tip with flange
<b>A-493</b>	8" straight static pressure tip with flange
<b>A-302F-A</b>	303 SS static pressure tip with mounting flange; for 3/16" ID rubber or plastic tubing; 4" insertion depth; includes mounting screws
<b>A-302F-B</b>	303 SS static pressure tip with mounting flange; for 3/16" ID rubber or plastic tubing; 6" insertion depth; includes mounting screws
<b>A-302F-C</b>	303 SS static pressure tip with mounting flange; for 3/16" ID rubber or plastic tubing; 8" insertion depth; includes mounting screws

ORDER ONLINE TODAY  
[dwyer-instruments.com/Product/Series1800](http://dwyer-instruments.com/Product/Series1800)



DWYER INSTRUMENTS, INC.